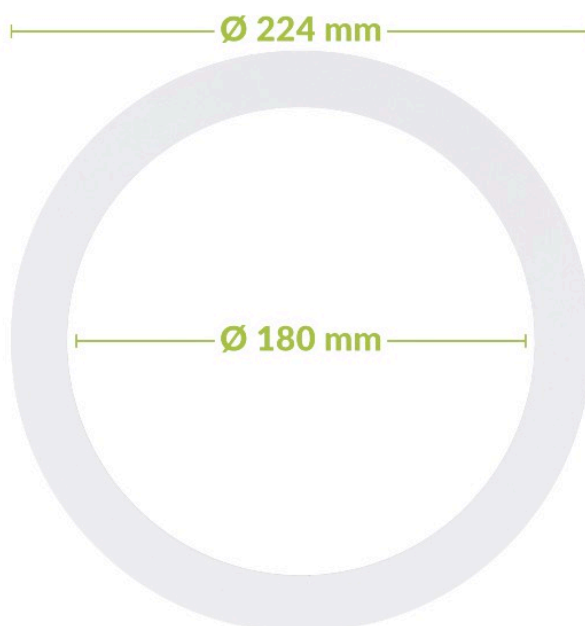


Reducer ring 180?224mm for downlight



This $\text{Ø}180?224$ mm reducer ring is a practical and aesthetic accessory for installing downlights and recessed luminaires. It bridges differences in ceiling cut-out sizes, creating a clean and professional finish. With an inner diameter of 180 mm and an outer diameter of 224 mm, it is ideal for larger openings.

The ring is made from high-quality material and features a slim design, ensuring it blends seamlessly into the ceiling. This not only improves visual appearance but also supports optimal light distribution without shadows or gaps around the fixture. Thanks to its simple installation, it is suitable for both professional installers and DIY users.

Article code: PL RING180

Last changed: 21-05-2026 11:56:06

Brand: Profolux

ETIM group: EG000030 - Accessories for lighting

ETIM class: EC002557 - Mechanical accessories/spare parts for luminaires

Synonyms: Adapter, Adhesive magnet, Angle, Balance weight, Base, Blind, Blind cap, Blind cover, Blind plate



Specifications

Colour:	White	Length:	-mm
Width:	-mm	Material:	Plastic
Height:	-mm	Transparent:	No
Type of accessory/spare part:	Adaptor	Accessory:	Yes
Diameter:	224 mm	Spare part:	No

Packaging information

Weight	0 gr
Packaging code <small>(according to EANCOM code list 7065)</small>	BX
Packaging form	Box <small>-p>A non-specific term that refers to a non-flexible, three-dimensional packaging with closed sides that can be completely enveloped and made of any material. Although some boxes are suitable for reuse or rescue, they can also be for one-off use, depending on the product</p></small>
CBS-code	94059900

